

A flat-gain LNA based on LTCC technology at UHF (300-500 MHz)

Rafael R. Heymann¹, Juan P. Pantoja¹, Leonardo L. Bravo Roger², Luciano Prado de Oliveira¹, Edson C dos Reis³, João R. Moreira Neto³, Hugo E. Hernandez-Figueroa¹

¹Department of Communications, School of Electrical and Computer Engineering, University of Campinas - UNICAMP, 13083-852, Campinas-SP, Brazil

²School of Technology, University of Campinas - UNICAMP, 13484-332, Campinas-SP, Brazil

³Bradar-Embraer Defesa & Segurança, 13080-010, Campinas-SP, Brazil

E-mails: [heymanr](mailto:heymanr@ft.unicamp.br), [jpantoja](mailto:jpantoja@ft.unicamp.br), [luciano](mailto:luciano@decom.fee.unicamp.br), hugo@decom.fee.unicamp.br, leobravo@ft.unicamp.br, [edson.reis](mailto:edson.reis@bradar.com.br), joao.moreira@bradar.com.br

Abstract— This paper presents a design and simulation of a low noise amplifiers (LNA) with all passives elements embedded on low temperature co-fired ceramic (LTCC) substrate. Simulation results in ANSYS Designer and CST Studio Suite reveal that the proposed LNA has a flat-gain of 23.34 dB from 300 to 500 MHz, a noise figure below 0.73 dB and a compact size of 16.7 mm x 8.5 mm.

Index Terms— Embedded Passives, LNA, LTCC, UHF.

I. INTRODUCTION

Low temperature co-fired ceramic (LTCC) technology presents flexibility and high integration capability. It is commonly used in system-in-package (SiP) [1] and system-on-package (SoP) [2]. Passives elements like capacitors, inductors and resistors can be embedded in the substrate. Therefore it provides a more compact module size as well as reduces the cost of discrete components and their assembly time. Consequently, LTCC is widely used in microwave and radio frequency (RF) front-end module (FEM) [3].

The ultra-high frequency (UHF) ranges from 300 to 1000 MHz for radar nomenclature and up to 3000 MHz for international telecommunications union (ITU) nomenclature [4]. It operates in line-of-sight (LOS) and ground-bounce with applications in broadcasting, navigation systems and radar. Furthermore, circuits in UHF are an ideal choice for ground-to-air communications [5].

High-performance receivers require low noise amplifiers (LNA) at the input to optimize noise figure (NF) [6]. Thus, in this paper a LNA with low NF below 0.8 dB and high gain above 23 dB, for a output power of 0 dBm (1 mW), using a commercial low cost enhancement-mode pseudomorphic high-electron-mobility transistor (E-PHEMT) SAV-581+ with fully integrated LTCC passives requiring no additional components is designed for UHF (300-500 MHz). By simulation, it is expected lower NF, higher gain and smaller size than others LNA designed in printed circuit board (PCB) at the same operational band.

The design has two steps. First it is designed the bias circuit and the matching networks with the

transistor S-parameters, next it is drawn and simulated the passives elements and the board layout. The circuit design is simulated in ANSYS Designer whereas the 3D passives elements and the LNA layout are simulated in CST Studio Suite. In order to verify the design methodology the schematic circuit and the layout are compared.

II. METHODOLOGY AND DESIGN

The design relies on a common source transistor with negative feedback configuration where a feedback resistance is used to minimize the dc current and voltage variations in the bias circuit. Under small-signal operation, the LNA is linear and, consequently, S-parameters can be used to characterize it [7]. The approach starts by the stabilization of the transistor adding resistances on the gate and on the drain which are the input and output of the active device, respectively. These resistances are the same used to the transistor's biasing. Then it is found the impedance that the active device sees at the input because the optimum impedance for lower noise is not equal to the conjugate of input impedance as can be seen in Fig. 1, in other words, there is a tradeoff between low noise and input matching.

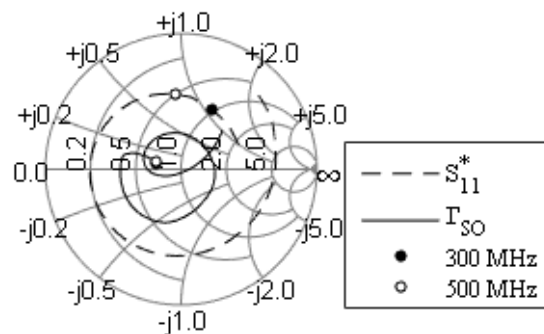


Fig. 1. Smith chart of optimum, Γ_{SO} , and source (input conjugate), S_{11}^* , impedances of the transistor with a feedback circuit.

The use of transmission line in the range of frequency from 300 MHz to 500 MHz is unfeasible due to the long wavelength. Thus, the match impedance networks are built by lumped elements by the Q matching technique with L-C sections [8]. The 50 Ω input circuit terminal is transformed in that tradeoff impedance. After that the same technique is used to match the 50 Ω output circuit terminal to the active device output impedance. Fig. 2 shows the circuit schematic supplied by a 5 V VCC that ensures the polarization current of 40 mA through the transistor with a 3 V between drain and source and delivers a power supply of 200 mW to the circuit, where R_B is the feedback resistance, R_G is the input stabilization resistance, R_D is the output stabilization resistance, C_I , C_G and L_G are input matching elements, L_D , L_O and C_O are output matching elements and the capacitor C_C is a short-circuit to ground for RF at the operational band. All passives on Fig. 2 are ideal elements.

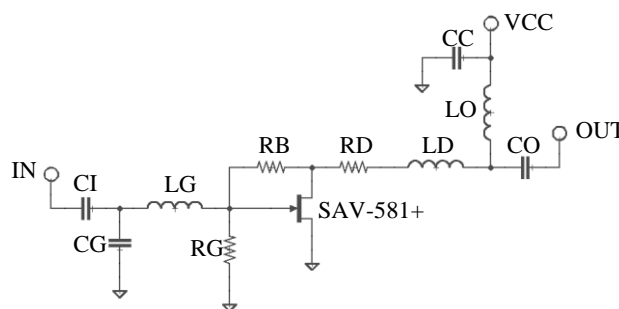


Fig. 2. LNA circuit schematic.

The passives elements are designed by compact architectures in a commercial 20-layer LTCC technology utilizing standard unfired thickness 114 μm DuPont 951PT tapes. The tapes have dielectric constant 7.8, loss tangent 0.006 at 3 GHz and a shrinkage post fired of 12.7% on x-y axis and 15% on z axis. The metallization is a 9 μm DuPont and the resistances are DuPont CF011, CF021 and CF031 which 10 ohms/sq, 100 ohms/sq and 1000 ohms/sq sheet resistances, respectively.

The circular helical inductors are used because they have higher Q and self-resonant frequency (SRF) values as compared to 2-D standard inductors and the circular geometry has the best electrical performance [9]. Fig. 3(a) shows a 9.5 turn helical inductor. The helical type has only half a turn on each layer which reduces the coupling capacitance by increasing the distance between the top turns and the underlying turns, thereby preventing considerable degradation in SRF [10]. Table I shows the behavior of inductance value, Q and resistance of the coil at 400 MHz in function of its inner radius and the total area of the element.

TABLE I. INDUCTOR PARAMETERS

Inductance [nH]	Q	Resistance [Ω]	Inner radius [μm]	Area [mm^2]
15.9	342.8	0.12	251.5	0.835
17.6	341.5	0.13	268.5	0.900
55.1	299.3	0.46	532.5	2.207

It is possible to find a commercial 16 nH inductor 0402 (1 mm x 0.55 mm) but its Q is less than 50 in the desired band, very lower than the 15.9 nH based on LTCC technology shown in Table I which Q is 342.8. This difference could modify the matching network response and add some loss in the amplifier.

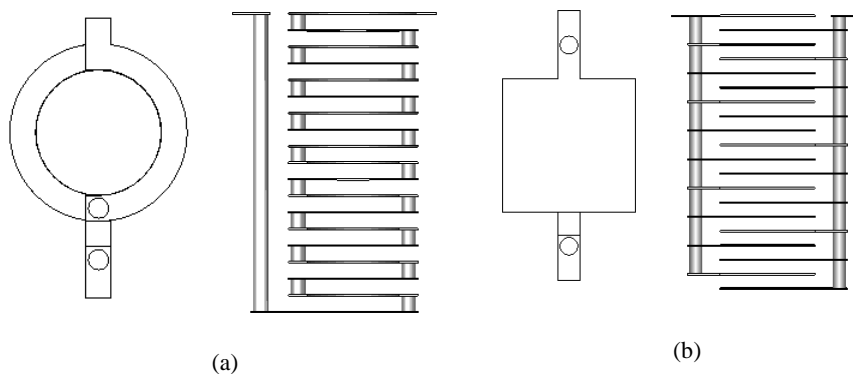


Fig. 3. Lumped elements design. (a) Inductor top and side view. (b) Capacitor top and side view.

Capacitors are conventionally built using metal-insulate-metal (MIM) element that is a dielectric layer sandwiched between two square plates. Since the capacitance is proportional to the plate areas, high capacitance requires large areas. Alternatively, vertically-interdigitated capacitor (VIC) works like a parallel combination of pairs of plates that increase the capacitance because it increases the effective area as well as it reduces the plate separation. Therefore a same capacitance of a MIM can be obtained with a dramatically smaller size VIC. Thus, VIC is a suitable architecture to realize an extremely compact capacitor [11]. Fig. 3(b) illustrates the concept of a 20-layer VIC. Fixed this structure, the capacitance is defined by the plate's area.

Table II shows the capacitance value, Q factor, resistance series, the plate area and the element size for each required LNA capacitance. It is possible to find a high-Q capacitor 0.4 mm x 0.2 mm. Thus, the benefits of using LTCC technology in this project are: flexibility of values and no need to have a stock of components, neither to buy any passive element.

TABLE II. CAPACITOR PARAMETERS

Capacitance [pF]	Q	Resistance series [Ω]	Plate area [mm ²]	Element size [mm x mm]
1.7	268.7	0.87	0.062	0.904 x 0.249
8	270.9	0.18	0.408	1.293 x 0.639
17.7	238.8	0.09	0.903	1.605 x 0.950

The CC capacitor is not shown in Table II because it works like a short circuit to ground for RF. It has a SRF in the operate band.

The capacitor's size can be reduced by using ESL ElectroScience tapes with a dielectric constant as high as 16 like 41060 or using capacitor dielectric pastes with 50-250 dielectric constant for 4160-N Series. Smaller inductor could be done using ferrite tapes with 50 (40010), 200 (40011) or 500 (40012) magnetic permeability.

The resistors are designed setting the length and width of a paste according to its sheet resistance. The resistance is proportional to squares number between the terminals. Table III shows the resistance in function of the sheet resistance and the square numbers. There are many combinations of dimension resulting in the same resistance as long as the ratio between the length and the width remains constant. Thus, the dimensions are calculated based on thermal conduction of the substrate so that the temperature not to exceed 20°C as in (1).

$$\Delta T = P_{dc} R_{TH} = P_{dc} \frac{h}{KA} \quad (1)$$

Where ΔT is the temperature difference (in °C) between the resistor and the back side of the substrate due to P_{dc} (in W) power dissipated in the resistor, R_{TH} is the thermal resistance, A (in m²) is the equivalent area of the resistor, h (in m) is the thickness, and K (in W/m-°C) is the thermal conductivity of the substrate [9].

TABLE III. RESISTANCE DIMENSIONS

Resistance [Ω]	Dimension [mm x mm]	Square numbers	Sheet resistance [Ω/sq]
49	3.42 x 0.699	4.89	10
574	1.565 x 0.272	5.75	100
3640	1.988 x 0.545	3.65	1000

The LNA layout with a size of 16.7 mm x 8.5 mm including all lumped elements embedded and the E-PHEMT SAV-581+ land pattern is shown in Fig. 4.

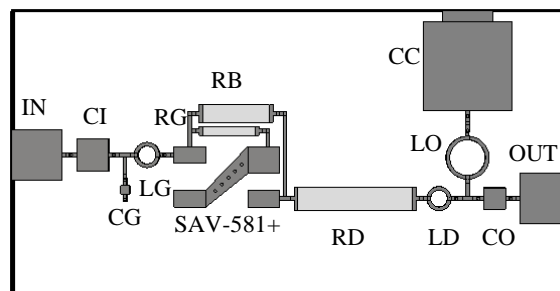


Fig. 4. LNA Layout.

III. RESULTS AND DISCUSSION

The circuit input (IN) and the output (OUT) in Fig. 4 correspond to 50 Ω ports 1 and 2, respectively. Fig. 5(a) shows the layout and schematic S11 and S22. Due to tradeoff between the NF and the input matching, the S11 is slightly higher than -10 dB in the lower band. However, the output S22 is as low as -10.31 dB for the layout simulation and -13.16 dB for the schematic simulation at 450 MHz. Both simulations match reasonably well.

The S21 is shown in Fig. 5(b), which the schematic value ranges from 23.51 to 23.68 dB and the layout value ranges from 23.17 to 23.51 dB that means a 0.34 dB variation. Thus the LNA has a flat-gain around 23.34 dB.

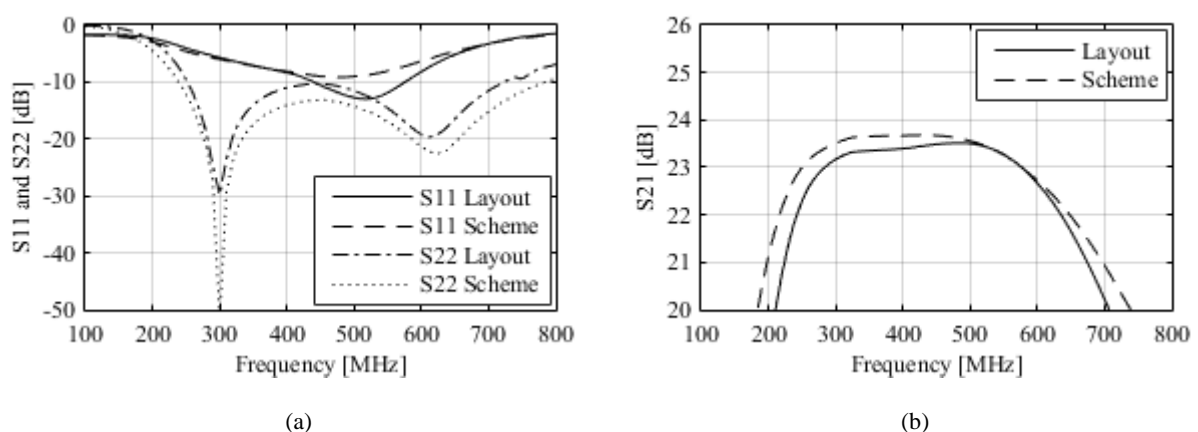


Fig. 5. Layout vs schematic S-Parameters in dB: (a) S11 and S22 and (b) S21.

Fig. 6 shows the layout and schematic NF revealing optimum values of 0.5705 at 330 MHz and 0.5543 at 320 MHz, respectively. However, NF increases up to 0.7241 dB in layout simulation and 0.6923 dB in schematic simulation for an operation frequency of 500 MHz.

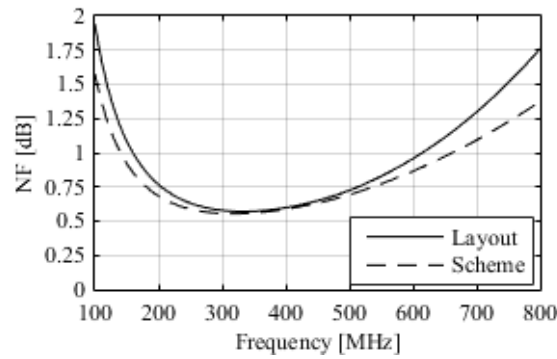


Fig. 6. Layout vs schematic NF in dB.

The project requires low NF and high gain from 300 to 500 MHz. Table IV compares the project requirements with other LNA designs operating at the same band using a packaged transistor. The simulation shows this work has the highest gain, lowest NF and smaller size for the operation band. Photos of two LNA fabricated in a RO4003 PCB in [12] using a transistor which package is like the SAV-581+ show boards size bigger than this work. In [13], the designed LNA in a FR-4 substrate is larger than a coin with 25 mm diameter, which has more than three times the area of this work. The substrate in [14] and [15] are also FR-4.

TABLE IV. LNA DESIGNS

Frequency [MHz]	Gain [dB]	NF [dB]	Dimension [mm x mm]	References
136-941	12	1.5	-	[12]
136-941	17.3	1.03	-	[12]
30-1500	16	1.2	Bigger than 25 x 25	[13]
360-460	23.7	1.5	60 x 32	[14]
50-1000	22-23	2.29	21 x 17	[15]
300-500	23.34	0.73	16.7 x 8.5	This work

IV. CONCLUSION

In this paper it was designed and simulated a 16.7 mm x 8.5 mm LNA operated by a 5V supply that deliveries about 200 mW to the circuit with 23.34 dB flat-gain, for an output power of 1 mW, and NF better than 0.73 dB from 300 to 500 MHz using all passives elements embedded on substrate based on LTCC technology. It was compared the LNA layout simulation with the schematic simulation using ideal passives elements. The NF difference was lower than 0.032 dB while S21 differs in less than 0.34 dB showing an acceptable agreement between the two simulations. In addition, the embedded reactive elements have high-Q resulting in low loss. There is only the transistor to be mounted that reduces cost and assembling time.

Comparing with other works at the same operated band, the simulation of this design has higher gain, smaller NF and more compact size.

REFERENCES

- [1] R. Liu, D. Schreurs, W. De Raedt, F. Vanaverbeke, and R. Mertens, "A low cost compact LTCC-based GaN power amplifier module," in *Workshop on Integrated Nonlinear Microwave and Millimetre-Wave Circuits (INMMIC)*, 2011, pp. 1-4.

- [2] J. J. Lee, D. Y. Jung, K. C. Eun, I. Y. Oh, and C. S. Park, "A low power CMOS single-chip receiver and system-on-package for 60GHz mobile applications," in *IEEE International Symposium on Radio-Frequency Integration Technology (RFIT)*, 2009, pp. 24–27.
- [3] B. C. Ham, D. H. Kim, J. M. Yook, J. I. Ryu, J. C. Kim, J. C. Park, Y. C. Park, and D. Kim, "A GPS/BT/WiFi triple-mode RF FEM using Si- and LTCC-based embedded technologies," in *IEEE Microwave Symposium Digest (MTT)*, 2012, pp. 1–3.
- [4] "IEEE Standard Letter Designations for Radar-Frequency Bands," *IEEE Std 521-2002 Revis. IEEE Std 521-1984*, pp. 1–3, 2003.
- [5] *Radio Communications in the Digital Age: VHF/UHF technology*, vol. 2. Harris, 2000.
- [6] P. H. Young, *Técnicas de Comunicação Eletrônica*, Edição: 5. Pearson, 2006.
- [7] R. Gilmore and L. Besser, *Practical RF Circuit Design for Modern Wireless Systems*, vol. 2. Artech House, 2003.
- [8] L. Besser and R. Gilmore, *Practical RF Circuit Design for Modern Wireless Systems*, vol. 1. Artech House, 2002.
- [9] I. J. Bahl, *Lumped Elements for RF and Microwave Circuits*. Artech House, 2003.
- [10] A. Sutono, A. Pham, J. Laskar, and W. R. Smith, "Development of three dimensional ceramic-based MCM inductors for hybrid RF/microwave applications," in *IEEE Radio Frequency Integrated Circuits (RFIC) Symposium*, 1999, pp. 175–178.
- [11] A. Sutono, D. Heo, Y.-J. Chen, and J. Laskar, "High-Q LTCC-based passive library for wireless system-on-package (SOP) module development," *IEEE Trans. Microw. Theory Tech.*, vol. 49, no. 10, pp. 1715–1724, Oct. 2001.
- [12] A. F. Osman, N. Mohd Noh, M. T. Mustafa, and A. Abd Manaf, "Comparison of wideband LNA designs for SDR applications," in *2nd International Conference on Electronic Design (ICED)*, 2014, pp. 515–520.
- [13] L. Wu and M. Yu, "A wideband low-noise-amplifier with compact size and improved bandwidth," in *International Conference on Microwave and Millimeter Wave Technology (ICMMT)*, 2010, pp. 653–655.
- [14] V. Doki, S. Nandanwar, and J. Thakkar, "Balanced Amplifier Technique for LNA in UHF Band," in *Fifth International Conference on Communication Systems and Network Technologies (CSNT)*, 2015, pp. 24–27.
- [15] K. B. Pramod and K. B. Praveen, "The design and simulation of 2.294 dB noise-figure RF wideband PHEMT LNA employing 2-stage cascade with single feedback."